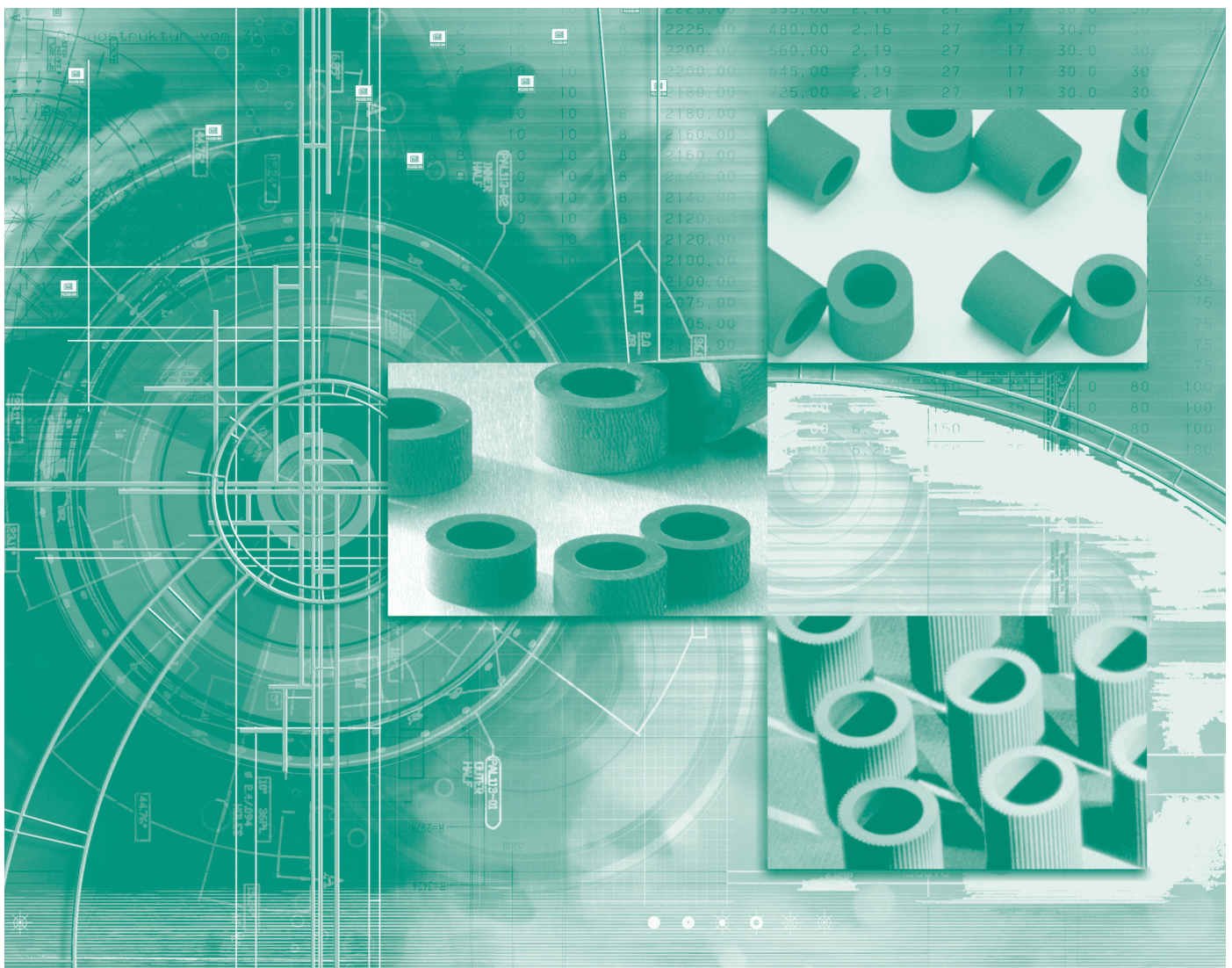




Visit www.katun.com for the most current cross-reference information and feed component pricing.

Feed Component Guide

for Canon Office Equipment



This guide is designed to help you order high quality, cost-effective Katun feed components for the Canon office equipment listed below. You can identify the correct Katun part number for a particular feed component in either of two ways:

1. Cross-reference Katun part numbers with the OEM part number for a given feed component.
2. Locate the feed component in the appropriate machine illustration and then reference its identification letter in the product listing.

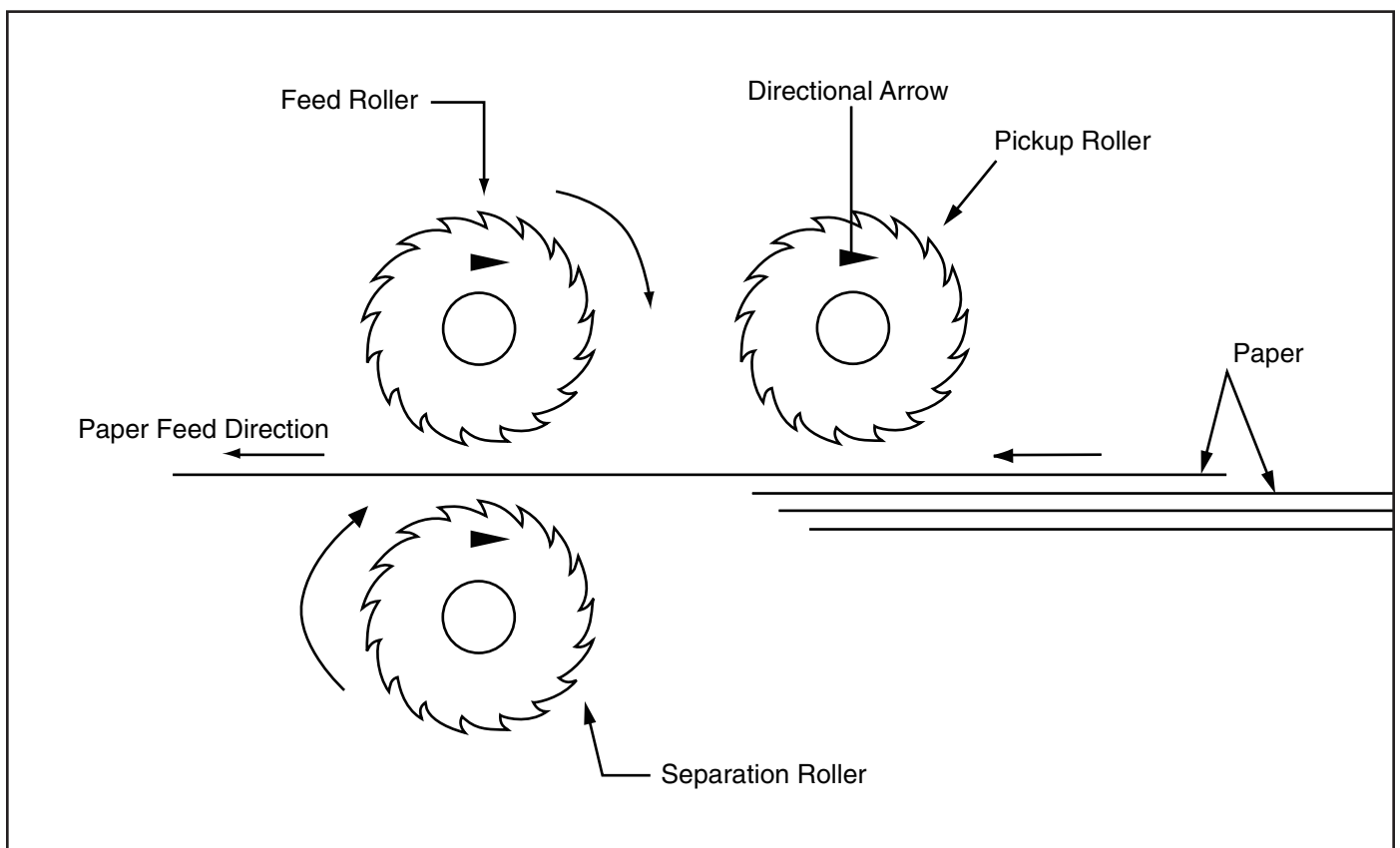
Canon Model	Page Number
CLC-700, 800, 900, 920, 950	4
CLC-1000/2400	6
GP-30, 55	8
GP-200, 200D, 200E, 200F, 200S, 210, 215, 220, 225 and imageRunner 200L, 210E, 210N, 210S	10
imageRunner 330E, 330S, 400, 400E, 400S	11
imageRunner 550/600	12
NP-3525, 3725	13
NP-3030, 3050	14
NP-4035, 4540	16
NP 4050, 4080	18
NP-4335, 4835	20
NP-6030, 6035	22
NP-6050	24
NP-6060	26
NP-6085	28
NP-6650	30
NP-8530	32
NP-8580	34

All Katun feed components are sold "tire only" unless otherwise noted.

Visit www.katun.com for the most current cross-reference information and feed component pricing.

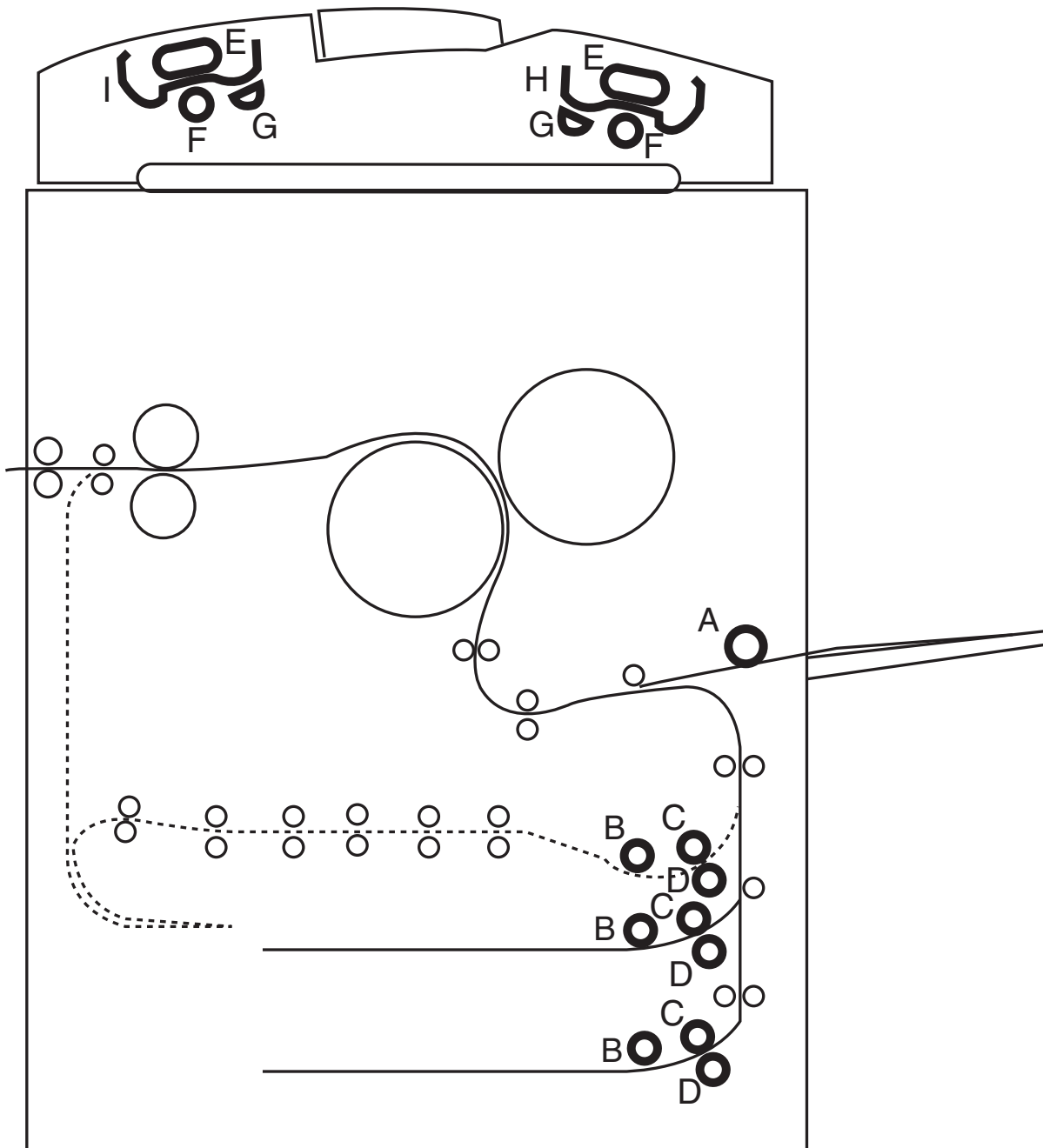
Installing Katun Feed Tires? Proper Installation Ensures Excellent Performance

Every "crepe-style" (textured surface) Katun feed tire is imprinted with a directional arrow. When installing, it is essential that the imprinted arrow points in the direction of required tire rotation. In certain machine applications, this may mean that the side for the tire that bears the imprinted arrow faces toward the technician; in other applications, the arrow side may face toward the rear of the machine.



Feed Component Care Tips

- *Keep bags sealed tightly until feed components will be installed.*
- *Store feed components in a cool, dry, and dark location.*
- *Clean feed components ONLY with soap and warm water.*



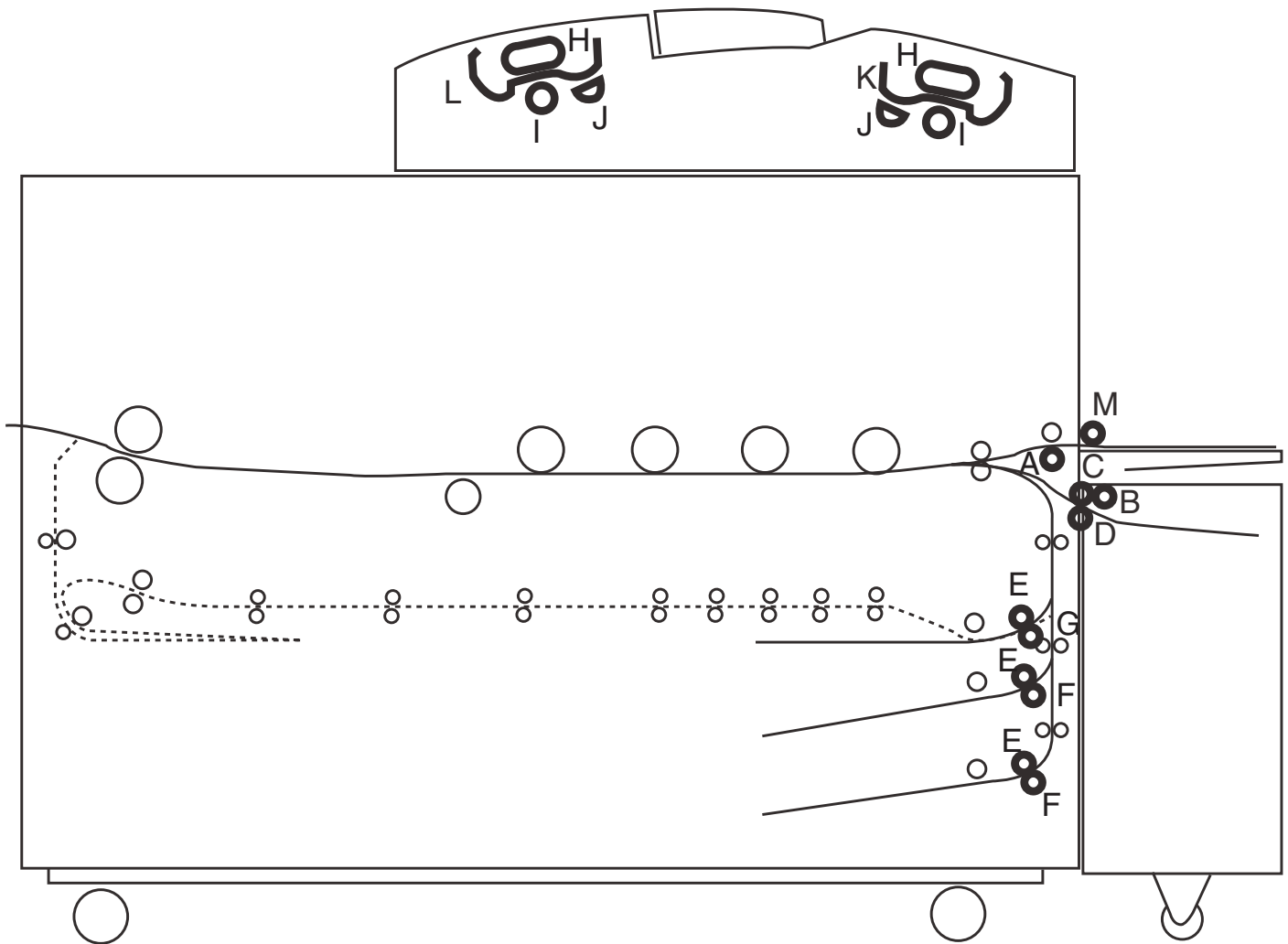
	Description	OEM PN	Katun PN
A	Manual Pickup Tire	FF5-2287-000	12302
B	Pickup Roller	FF5-1220-000 FF5-1221-000	17821
B	Pickup Roller Front with hub assembly	FF5-1220-000	30101
B	Pickup Roller Rear with hub assembly	FF5-1221-000	30100
B	Pickup Tire (not in CLC 700)	FB2-0846-000	20761
B	Front Paper Pickup Tire	FF5-2101-000	20761
B	Rear Paper Pickup Tire	FF5-2102-000	20761
C	Feed Roller	FB1-7061-000	11264
C	Feed Roller with hub assembly	FB1-7061-000	16779
D	Separation Roller	FB1-7060-020	12801
D	Separation Tire	FB2-0848-000	17777
D	Separation Roller with hub assembly	FB1-7060-020	16833
E	Separation Belt (RDF-E1)	FA5-5427-000	15001
F	Feed Roller (RDF-E1)	FC2-1533-000	13735
G	Pickup Roller (RDF-E1)	FC2-1532-000	15611
H	Separation Flapper Right (RDF-E1)	FF3-0115-000	17008
I	Separation Flapper Left (RDF-E1)	FF3-0117-000	17009

REPLACEMENT KITS

	Description	Katun PN
	Feed Roller Kit	12619
B	(4) Pickup Rollers	
C	(4) Feed Rollers	
D	(4) Separation Rollers	

ADDITIONAL KATUN PARTS

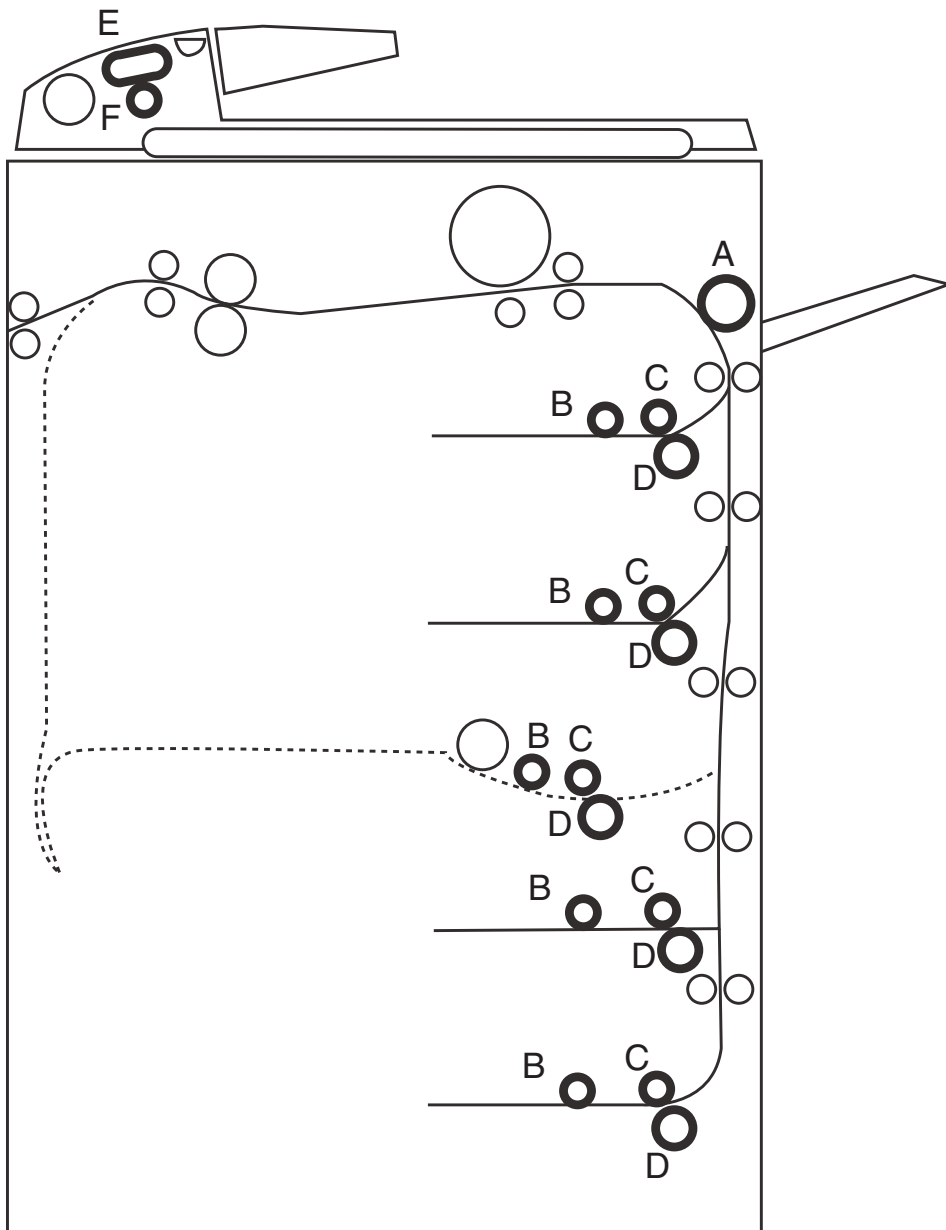
	Description	OEM PN	Katun PN
	Bearing	XG9-0013-000	576204
	Bearing	XG9-0208-000	576204
	Bearing	XG9-0249-000	576204
	Corona Wire Spring	97-5527-000	524647
	Upper Fuser Roller	FB4-6597-000	22701
	Lower Fuser Roller	FB4-6598-000	22702



	Description	OEM PN	Katun PN
A	Manual Separation Roller	FF2-4710-000	636671
A	Manual Separation Roller with hub assembly	FF2-4710-000	15626
B	Pickup Roller	FF2-5674-020 FF2-5674-000	11083
C	Feed Roller	FF2-4785-020	11083
D	Separation Roller	FF2-6312-000	11084
E	Feed Roller	FB1-7061-000 FB2-0847-000	11264
E	Feed Roller with hub assembly	FB1-7061-000	16779
F	Separation Roller	FB2-0848-000	17777
G	Separation Roller	FB1-7060-020	12801
G	Separation Roller with hub assembly	FB1-7060-020	16833
H	Separation Belt (RDF-E1)	FA5-5427-000	15001
I	Feed Roller (RDF-E1)	FC2-1533-000	13735
J	Pickup Roller (RDF-E1)	FC2-1532-000	15611
K	Separation Flapper Right (RDF-E1)	FF3-0115-000	17008
L	Separation Flapper Left (RDF-E1)	FF3-0117-000	17009
M	Paper Pickup Roller	FF5-4327-000	20905

ADDITIONAL KATUN PARTS

Description	OEM PN	Katun PN
Bearing	XG9-0013-000	576204
Bearing	XG9-0249-000	576204
Corona Wire Spring	97-5527-000	524647
Upper Fuser Roller	FB4-6597-000	22701
Lower Fuser Roller	FB4-6598-000	22702



	Description	OEM PN	Katun PN
A	Manual Pickup Roller	FB1-8581-000	12302
B	Pickup Roller	FF5-1220-000, FF5-1221-000	17821
B	Pickup Roller Front with hub assembly	FF5-1220-000	30101
B	Pickup Roller Rear with hub assembly	FF5-1221-000	30100
C	Feed Roller	FB1-7061-000	11264
C	Feed Roller with hub assembly	FB1-7061-000	16779
D	Separation Roller	FB1-7060-000	12801
D	Separation Roller with hub assembly	FB1-7060-000	16833
E	Separation Belt (RDF-C1, ADF-C1)	FA5-5427-000	15001
F	Feed Roller (RDF-C1)	FC1-1259-000	11369
F	Feed Roller (RDF-C1)	FE6-3035-020	20554
F	Feed Roller (ADF-C1)	FE6-3036-000	19854

FEED TIRE KITS

	Description	Katun PN
	Feed Tire Replacement Kit	12619
B	(4) Pickup Rollers	
C	(4) Feed Rollers	
D	(4) Separation Rollers	

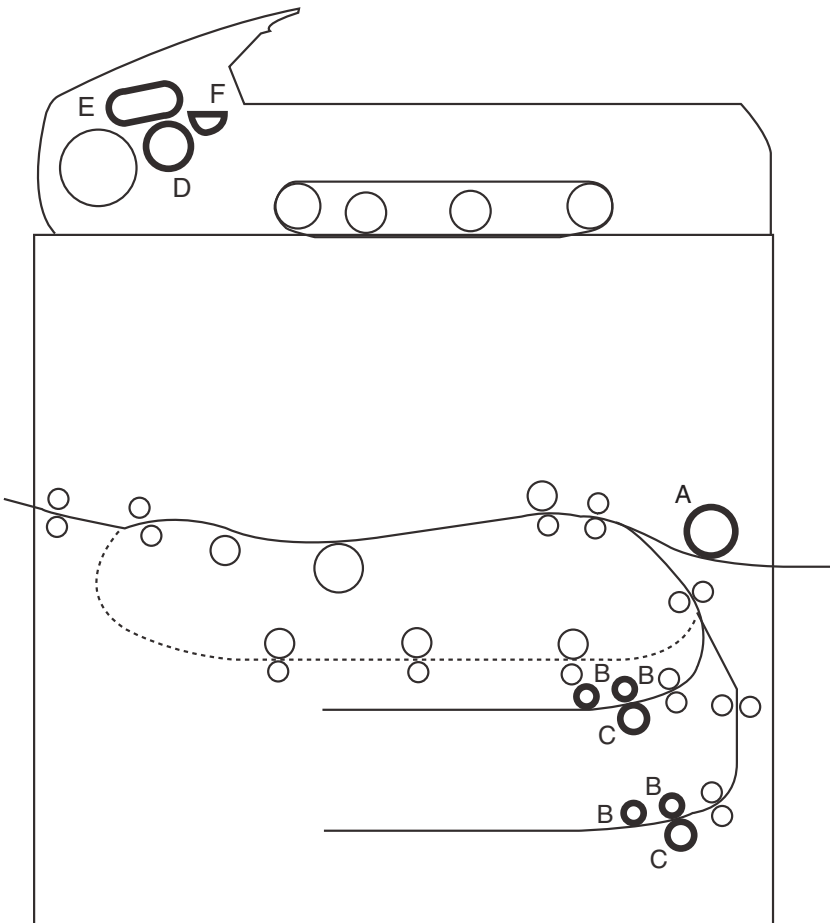
ADDITIONAL KATUN PARTS

Description	OEM PN	Katun PN
Upper Heat Insulating Sleeve	FB1-6823-000	13600
Bearing	XG9-0208-000	576204
Bearing	XG9-0249-000	576204
Upper Fuser Roller Bearing	XG9-0266-000	576216
Web Supply Roller	FY1-1046-000	636505
Web Supply Roller	FY7-0221-000	636505
Lower Picker Finger	FA2-9037-000	242562
Upper Picker Finger	FB1-7075-000	13099
Corona Wire Spring	97-5527-000	524647
Corona Wire Spring	FS2-2763-000	524647

Canon GP-200/200D/200E/200F/200S/210/215/220/225 and imageRunner 200L/210E/210N/210S

Description	OEM PN	Katun PN
-------------	--------	----------

A Manual Pickup Roller	FB2-8581-000	12302
B Pickup/Feed Roller	FF5-4552-020	17942
B Pickup/Feed Roller with hub assembly	FF5-4552-020	23389
C Separation Roller	FF5-4634-020	17941
C Separation Roller with hub assembly	FF5-4634-020	22735
D Feed Roller (RDF-GI)	FC2-1533-000	13735
E Paper Feed Belt (RDF-GI)	FE6-3059-000 FE6-3059-000 (OEM Style)	15001 23494
E Separation Belt (RDF-GI)	FB3-5702-000	19841
F Original Pickup Roller	FF5-5191-000	25885



REPLACEMENT KITS

Description	Katun PN
-------------	----------

Feed Tire Replacement Kit	21849
----------------------------------	--------------

- B** (4) Pickup/Feed Rollers
- C** (2) Separation Rollers

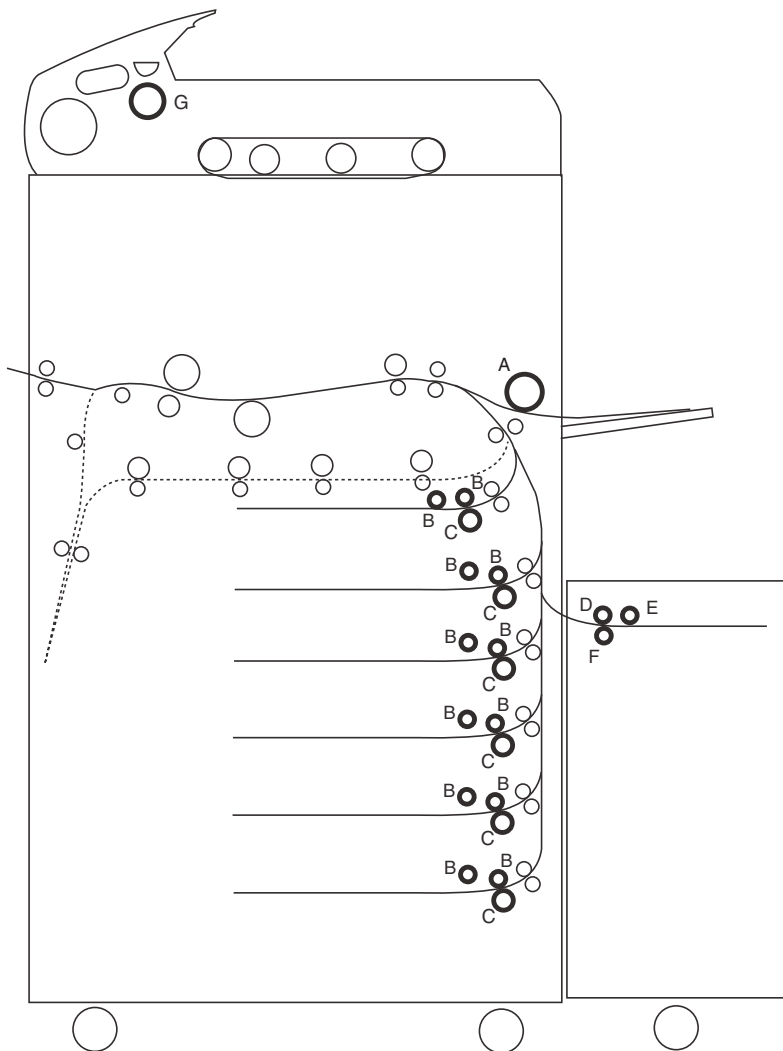
Feed Roller Replacement Kit	26947
------------------------------------	--------------

- B** (4) Pickup/Feed Rollers with hub assembly
- C** (2) Separation Rollers with hub assembly

Canon imageRUNNER 330E/330S/400/400E/400S

Description	OEM PN	Katun PN
-------------	--------	----------

A Manual Feed Roller	FB1-8581-000	12302
B Pickup/Feed Roller	FF5-4552-020	17942
B Pickup/Feed Roller with hub assembly	FF5-4552-020	23389
C Separation Roller	FF5-4634-020	17941
C Separation Roller with hub assembly	FF5-4634-020	22735
D Feed Roller (PD-B1)	FB4-2034-000	18877
E Pickup Roller	FB4-2033-000	17821
F Separation Roller with hub assembly	FB2-7777-000	21619
G Feed Roller (DADF-A1)	FB4-6991-000	13735



ADDITIONAL KATUN PARTS

Description	OEM PN	Katun PN
-------------	--------	----------

Upper Heat Insulating Sleeve	FB1-6823-000	13600
Bearing	XG9-0208-000	576204
Web Supply Roller	FY1-1046-000	636505
Lower Picker Finger	FA2-9037-000	242562
Upper Picker Finger	FB1-7075-000	13099

REPLACEMENT KITS

Description	Katun PN
-------------	----------

Feed Tire Replacement Kit	21849
B (4) Pickup/Feed Rollers	
C (2) Separation Rollers	
Feed Roller Replacement Kit	26947
B (4) Pickup/Feed Rollers with hub assembly	
C (2) Separation Rollers with hub assembly	
Feed Tire Replacement Kit (PD-B1)	21762
D (1) Feed Roller	
E (1) Pickup Roller	
F (1) Separation Roller with hub assembly	

Canon imageRUNNER 550/600

Description OEM PN Katun PN

A	Manual Pickup Roller	FB4-2033-000	17821
B	Manual Feed Roller	FB4-2035-000	17776
C	Sponge Roller with hub assembly	FB2-7545-000	21650
D	Pickup Roller	FB4-2033-000	17821
E	Pickup Roller	FF5-7829-030 FF5-7830-030	17821
E	Pickup Roller with hub assembly	FF5-7829-030	30100
E	Pickup Roller Front with hub assembly	FF5-7830-030	30101
F	Paper Pickup/Feed Roller	FB4-2034-000	18877
G	Seperation Roller with hub assembly	FB2-7777-020	21619
H	Original Feed Roller	FB4-6991-000	13735
H	ADF Feed Roller Assembly	FG6-2748-000	20554
I	Paper Feed Belt Paper Feed Belt (OEM Style)	FE6-3059-000 FE6-3059-000	15001 23494
J	ADF Pickup Roller	FB4-7640-000	22683

ADDITIONAL KATUN PARTS

Description OEM PN Katun PN

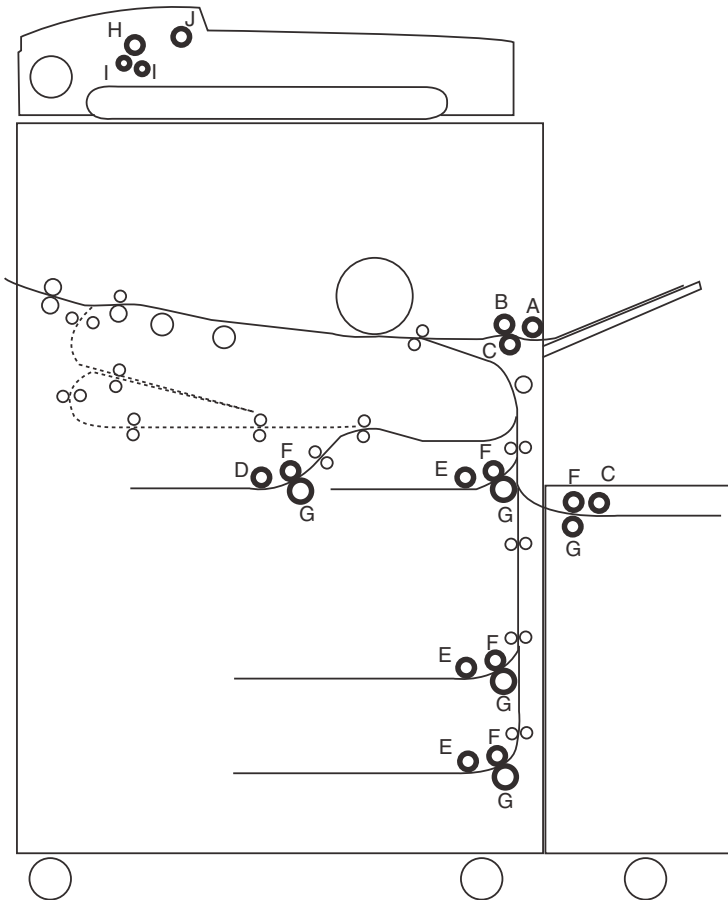
Heat Insulating Sleeve	FB2-7239-000	13600
Bearing	XG9-0208-000	576204
Bearing	XG9-0249-000	576204
Lower Picker Finger	FA2-9037-000	242562
Upper Picker Finger	FC1-0391-040	16086
Upper Fuser Roller	FB2-7200-000	14109
Corona Wire Spring	97-5527-000	524647

REPLACEMENT KIT

Description Katun PN

Feed Tire Replacement Kit 21762

- E** (2) Pickup Rollers
- F** (2) Paper Pickup/Feed Rollers
- G** (1) Seperation Rollers with hub assembly

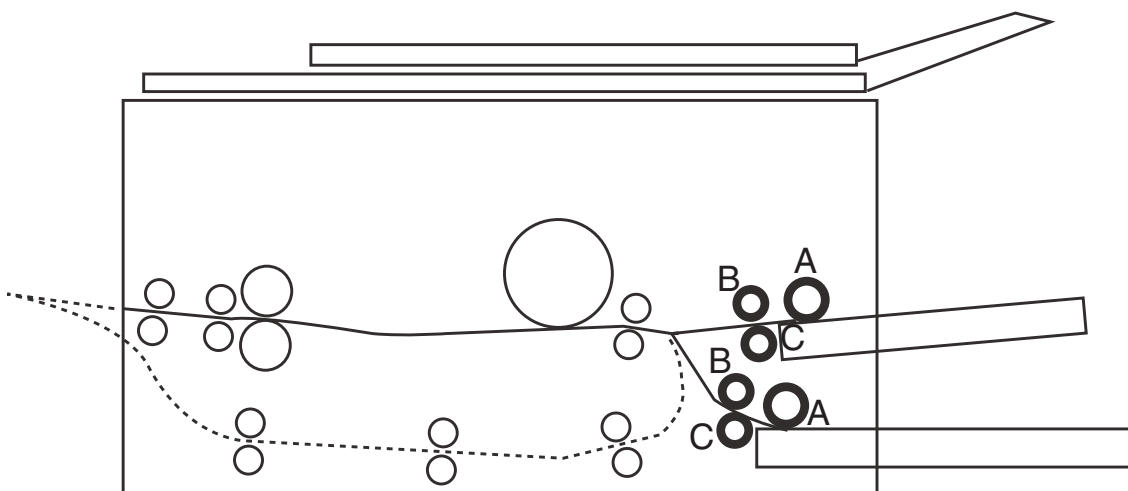


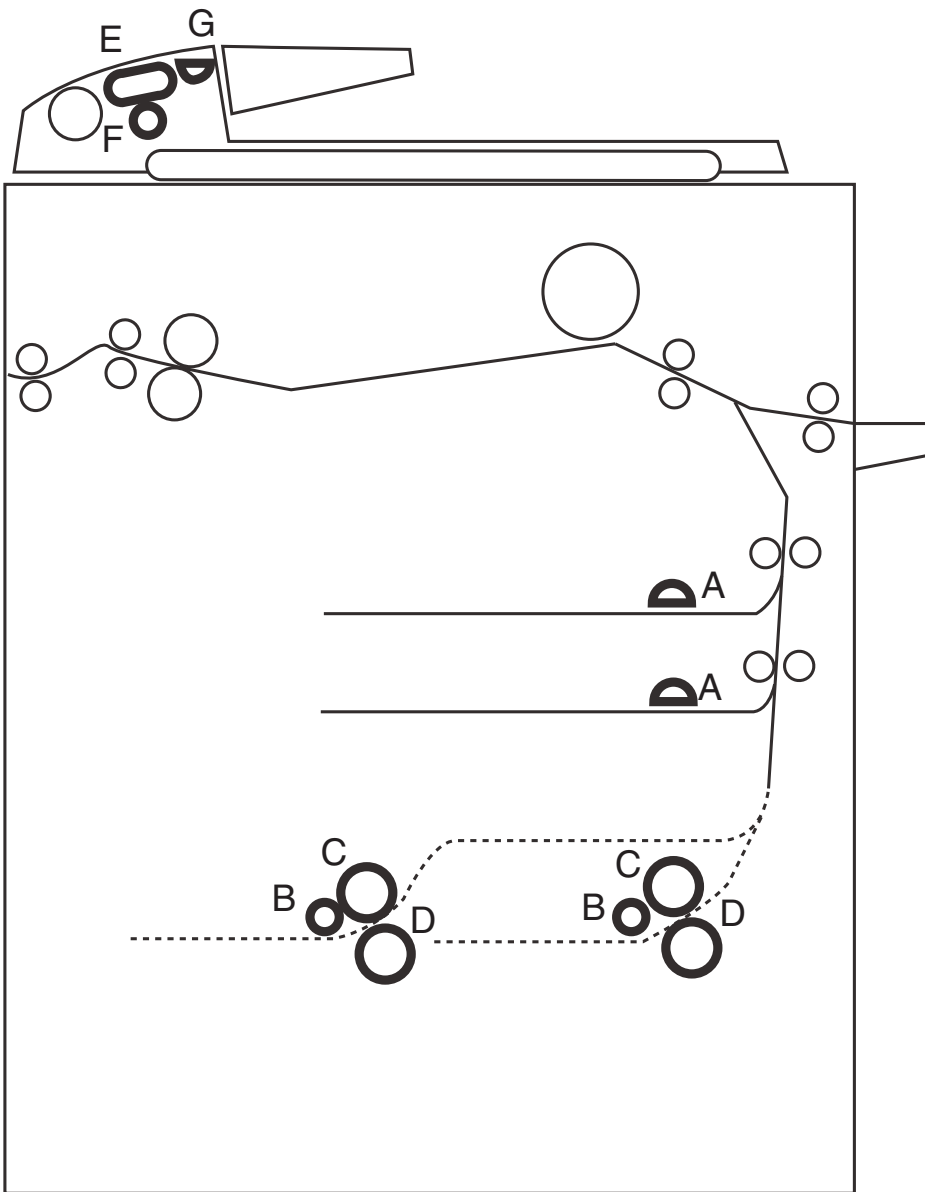
Canon NP-3525, 3725

	Description	OEM PN	Katun PN
A	Pickup Roller	FF9-0581-030	00893
B	Feed Roller	FA3-8733-040	6 36671
B	Feed Roller with hub assembly	FA3-8733-040	15626
C	Separation Roller	FA3-8733-040	36671
C	Separation Roller with hub assembly	FA3-8733-040	15626

ADDITIONAL KATUN PARTS

Description	OEM PN	Katun PN
Bearing	XG9-0013-000	576204
Upper Fuser Roller Bearing	XG9-0139-000	576216
Web Supply Roller	FY1-1046-000	636505
Web Supply Roller	FY7-0221-000	636505





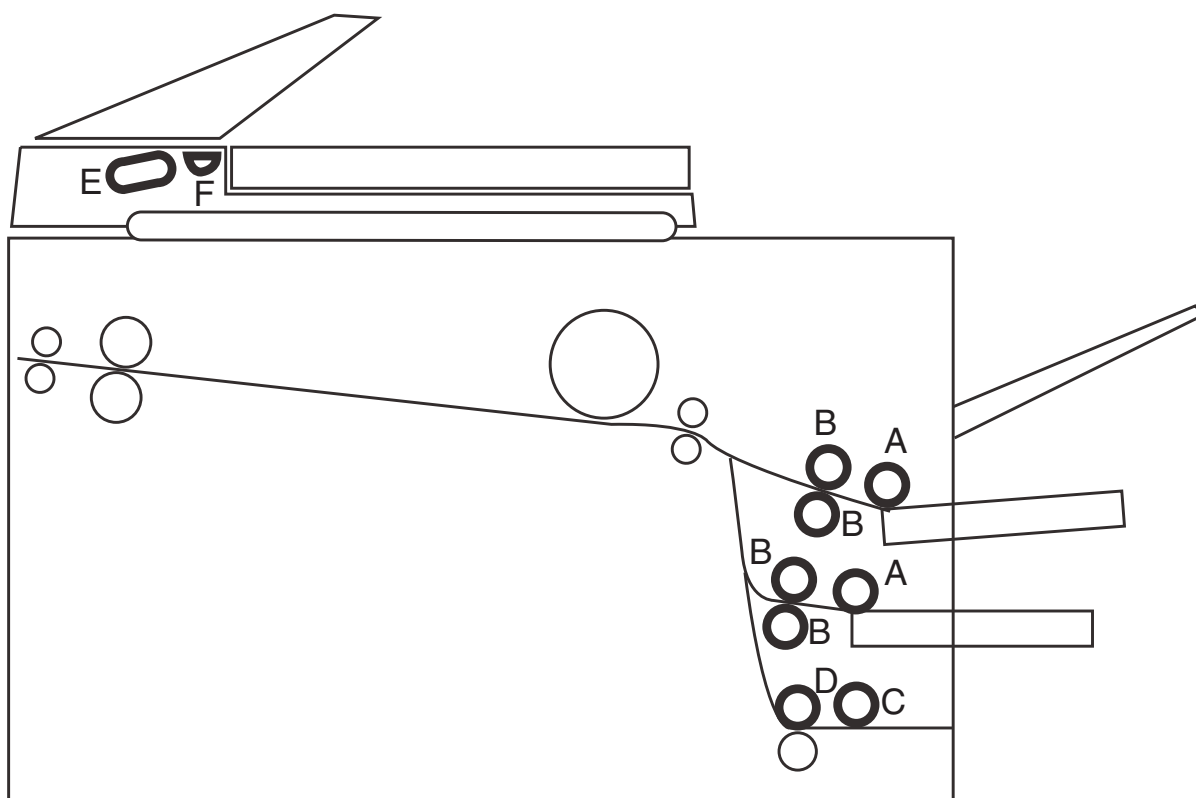
	Description	OEM PN	Katun PN
A	Pickup Roller (CFU-E1)	FA6-5547-000	12718
B	Pickup Roller (PD-D1/E1)	FA5-2854-030 FF9-1113-030	00888
C	Feed Roller (PD-D1/E1)	FL9-0009-030	00886
D	Separation Roller (PD-D1/E1)	FL9-0010-020	00880
E	Separation Belt (ADF-A1, RDF-B1)	FA5-5427-000	15001
F	Feed Roller (ADF-A1) (Ribbed tire)	FF6-3036-000	19854
F	Feed Roller (RDF-B1)	FC1-1259-000	11369
G	Pickup Roller (ADF-A1, RDF-B1) with hub assembly	FA3-4686-020	636731

REPLACEMENT KITS

	Description	Katun PN
	Document Feeder Kit (RDF-B1)	12976
E	(9) Separation Belts	
F	(12) Feed Rollers	
G	(2) Pickup Rollers with hub assembly	

ADDITIONAL KATUN PARTS

Description	OEM PN	Katun PN
Heat Insulating Sleeve	FB1-5928-000	13942
Bearing	XG9-0013-000	576204
Drum Cleaning Blade	FA5-2524-000	243418
Web Supply Roller	FY1-1046-000	636505
Web Supply Roller	FY7-0221-000	636505
OPC Drum Kit	N/P/N	09307
Upper Fuser Roller Bearing Kit	N/P/N	15697
Lower Picker Finger	FA2-9037-000	542562
Corona Wire Spring	97-5527-000	524647

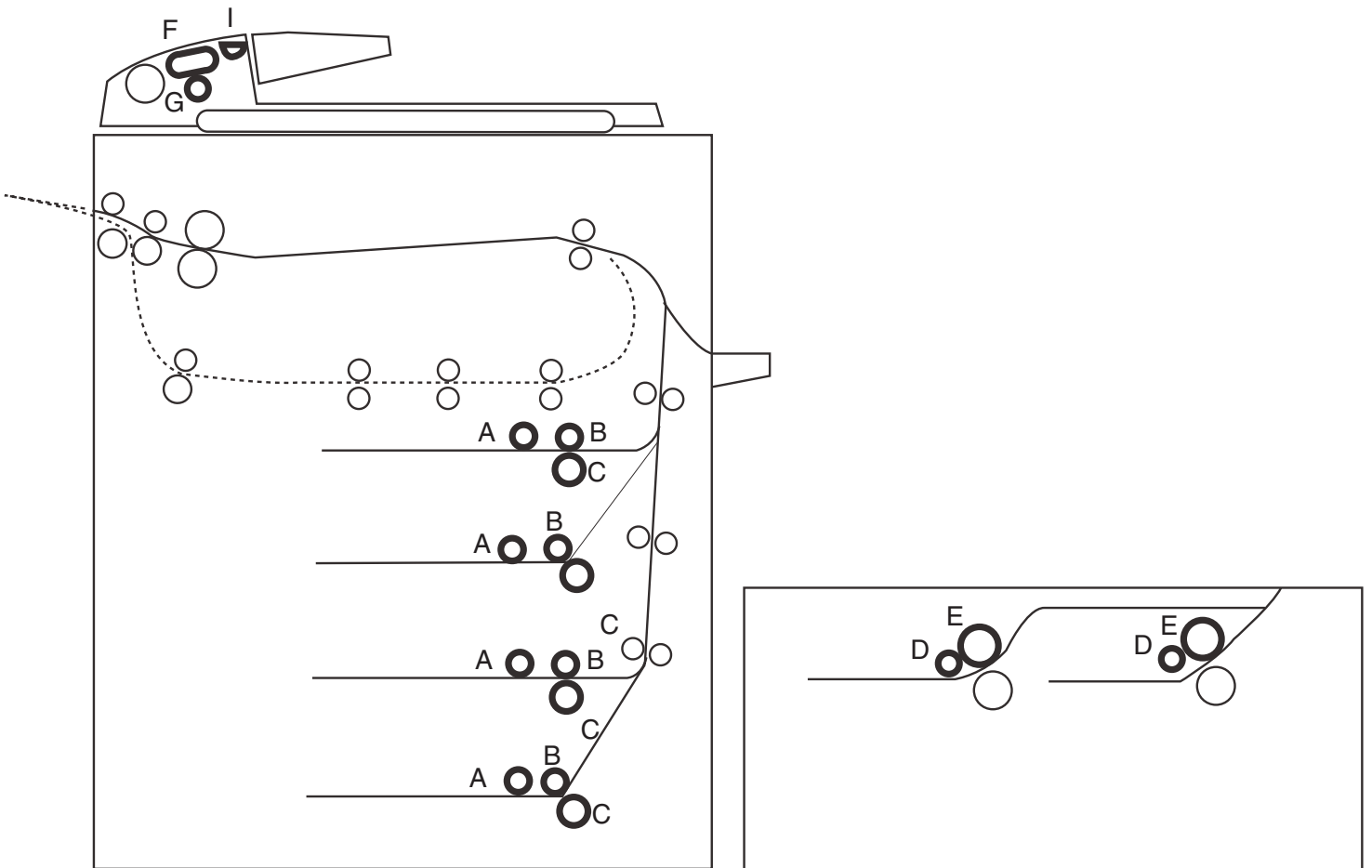


	Description	OEM PN	Katun PN
A	Pickup Roller	FF9-0581-030	00893
B	Feed Roller/ Separation Roller	FA3-8733-040	636671
B	Feed Roller/ Separation Roller with hub assembly	FA3-8733-040	15626
C	Paper Pickup Tire (PD-5)	FA3-2615-020	12799
D	Feed Roller (PD-5)	FL9-0009-030	00886
E	Separation Belt (RDF-1)	FA3-4598-020 FE6-3059-000 (OEM Style)	15001 23494
F	Pickup Roller (RDF-1) with hub assembly	FA3-4686-020	636731

ADDITIONAL KATUN PARTS

Description	OEM PN	Katun PN
Bearing	XG9-0013-000	576204
Upper Fuser Roller Bearing	XG9-0139-000	576216
Web Supply Roller	FY7-0085-000	636505
Lower Picker Finger	FA2-8345-000	13097
Upper Picker Finger	FC1-0391-030	16086
Corona Wire Spring	97-5527-000	524647

Canon NP-4050, 4080, (with RDF-B1) (with PD-D1)



	Description	OEM PN	Katun PN
A	Pickup Roller (CFU-D1)	FF9-1003-050 FA5-2854-030 FF9-1113-030	00888
B	Feed Roller (CFU-D1)	FA5-2933-020	12221
B	Feed Roller (CFU-D1) with hub assembly	FA5-2933-020	15626
C	Separation Roller (CFU-D1)	FA5-2867-020	12800
D	Pickup Roller (PD-D1)	FA5-2854-030 FF9-1113-030	00888
D	Pickup Roller (PD-D1)	RF5-1835-000	22338
E	Feed Roller (PD-D1)	FL9-0009-030	00886
F	Separation Belt (RDF-B1)	FA5-5427-000	15001
G	Feed Roller (RDF-B1)	FC1-1259-000	11369
G	Feed Roller (RDF-B1)	FE6-3035-020	20554
H	Pickup Roller (RDF-B1) with hub assembly	FA3-4686-020	636731

REPLACEMENT KITS

	Description	Katun PN
	Feed Roller Kit (CFU-D1)	12618
A	(4) Pickup Rollers	
B	(4) Feed Rollers	
C	(4) Separation Rollers	
	Document Feeder Kit (RDF-B1)	12976
F	(9) Separation Belts	
G	(12) Feed Rollers	
H	(2) Pickup Rollers	

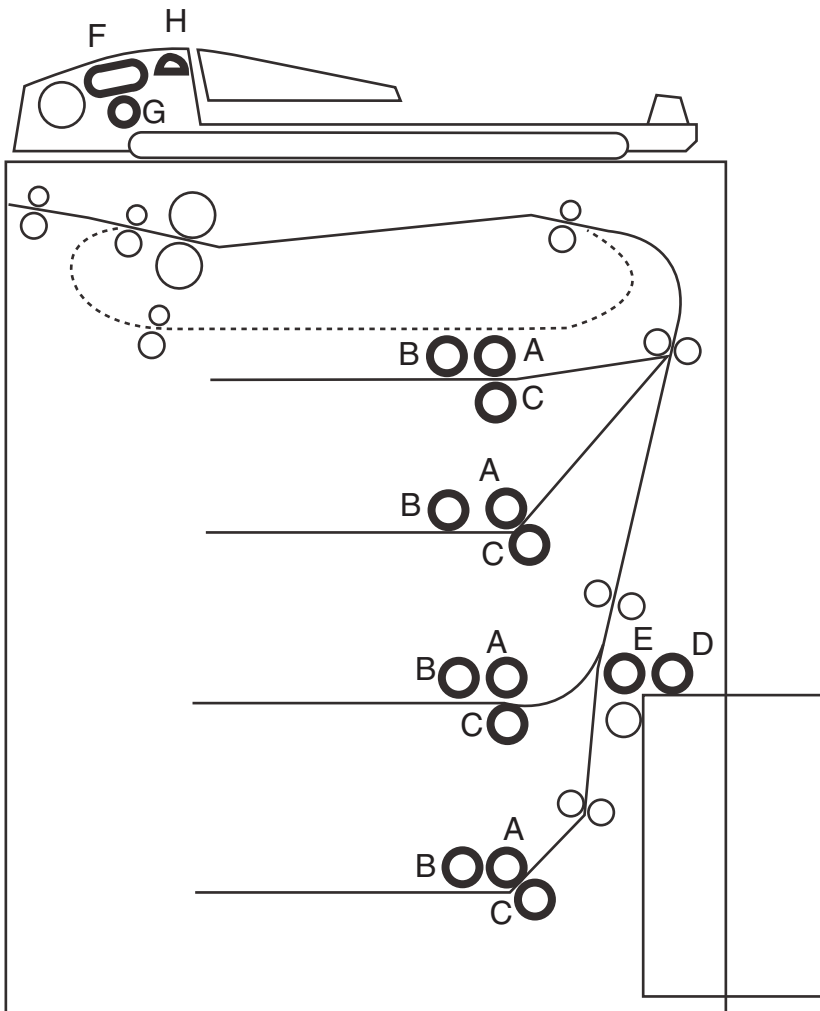
ADDITIONAL KATUN PARTS

Description	OEM PN	Katun PN
Heat Insulating Sleeve	FB1-5928-000	13942
Bearing	XG9-0208-000	576204
Drum Cleaning Blade	FA5-2524-000	243418
Web Supply Roller	FY1-1046-000	636505
Web Supply Roller	FY7-0221-000	636505
Lower Picker Finger	FA2-9037-000	242562
Upper Picker Finger	FB1-7075-000	13099
Corona Wire Spring	97-5527-000	524647

Canon NP-4335, 4835

ADDITIONAL KATUN PARTS

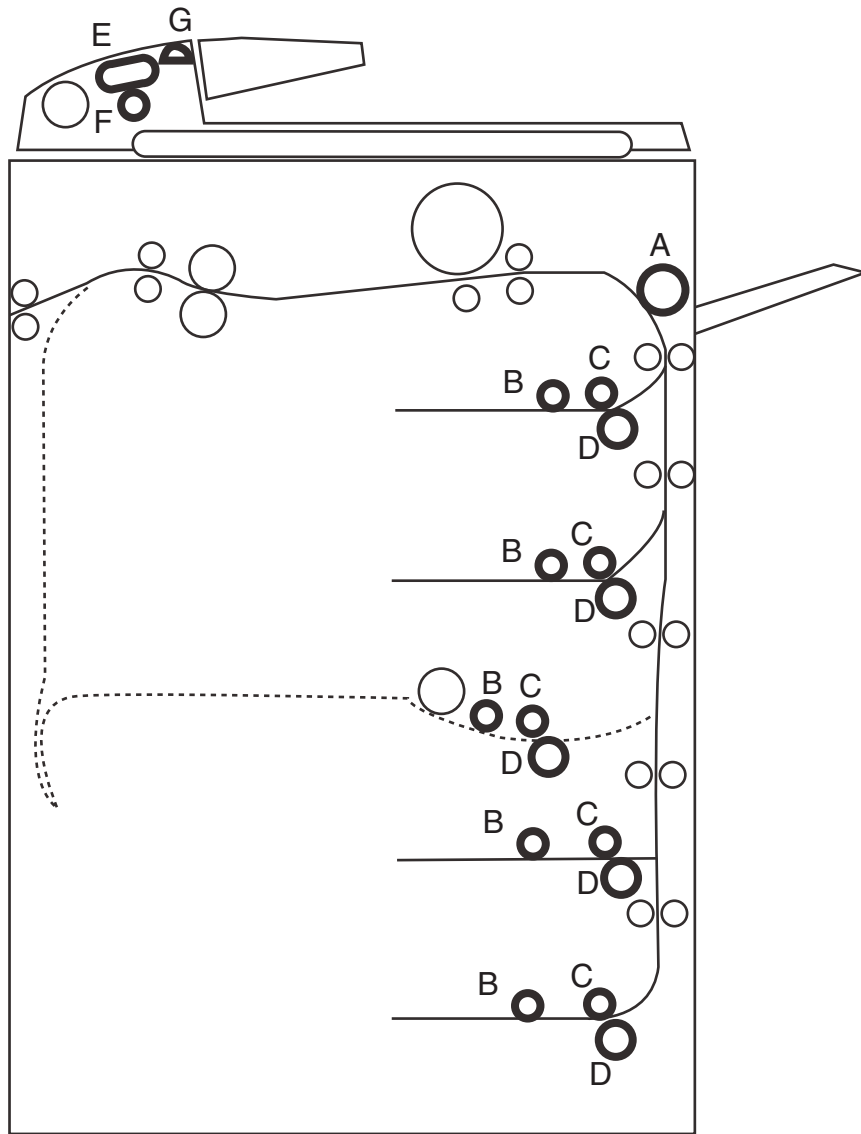
Description	OEM PN	Katun PN
Heat Insulating Sleeve	FA5-2967-000	13942
Bearing	XG9-0208-000	576204
Drum Cleaning Blade	FA5-2524-000	243418
Web Supply Roller	FY1-1046-000	636505
Web Supply Roller	FY7-0221-000	636505
Lower Picker Finger	FA2-9037-000	242562
Upper Picker Finger	FA9-0451-000	13099
Corona Wire Spring	97-5527-000	524647



	Description	OEM PN	Katun PN
A	Feed Roller	FA5-2933-020	12221
A	Feed Roller with hub assembly	FA5-2933-020 FA3-8733-040	15626
B	Pickup Roller	FF9-1003-050 FF9-1113-030 FA5-2854-030	00888
C	Separation Roller	FA5-2867-020	12800
D	Pickup Roller (PD-8)	FF9-1003-050 FF9-1113-030	00888
E	Feed Roller (PD-8)	FE9-0019-000	00886
F	Separation Belt	FA5-5427-000	15001
G	Original Feed Roller Unit (D-ADF) (Ribbed tire)	FF2-9926-000	19854
H	Pickup Roller (D-ADF) with hub assembly	FA3-4686-020	636731

REPLACEMENT KITS

	Description	Katun PN
	Feed Roller Kit (CFU-D1)	12618
A	(4) Feed Rollers	
B	(4) Pickup Rollers	
C	(4) Separation Rollers	
	Document Feeder Kit (RDF-2)	12139
F	(6) Separation Belts	
G	(9) Feed Rollers	
H	(2) Pickup Rollers	



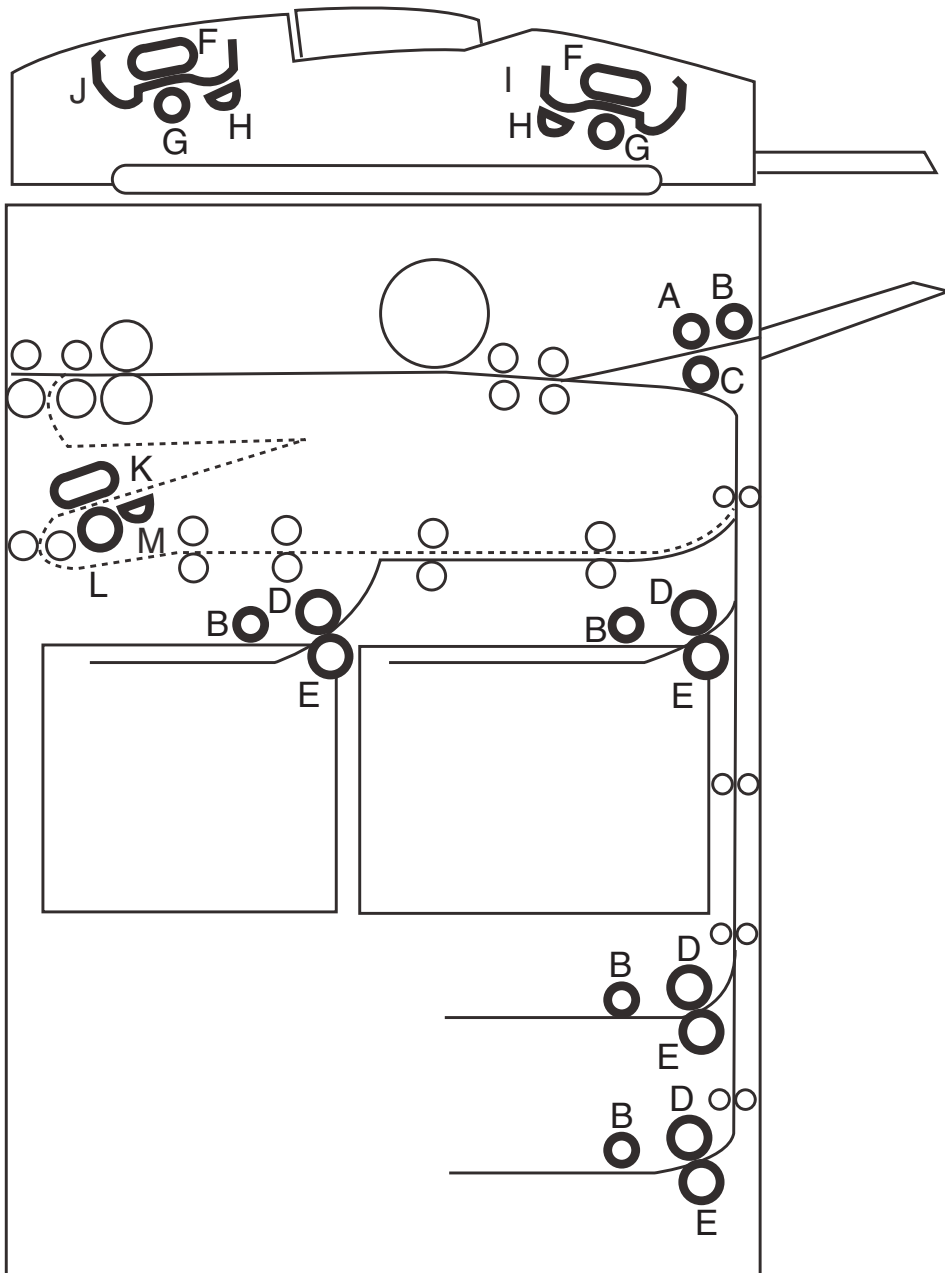
	Description	OEM PN	Katun PN
A	Pickup Roller	FB1-8581-000	12302
B	Pickup Roller	FF5-1220-000 FF5-1221-000	17821
B	Pickup Roller Front with hub assembly	FF5-1220-000	30101
B	Pickup Roller Rear with hub assembly	FF5-1221-000	30100
C	Feed Roller	FB1-7061-000	11264
C	Feed Roller with hub assembly	FB1-7061-000	16779
D	Separation Roller	FB1-7060-020	12801
D	Separation Roller with hub assembly	FB1-7060-020	16833
E	Separation Belt	FA5-5427-000	15001
F	Feed Roller (RDF-C1)	FC1-1259-000	11369
G	Pickup Roller (RDF-C1) with hub assembly	FA3-4686-020	636731

REPLACEMENT KITS

	Description	Katun PN
	Feed Roller Kit (CFU-D1)	12619
B	(4) Pickup Rollers	
C	(4) Feed Rollers	
D	(4) Separation Rollers	
	Document Feeder Kit (RDF-C1)	12976
E	(9) Separation Belts	
F	(12) Feed Rollers	
G	(2) Pickup Rollers hub assembly	

ADDITIONAL KATUN PARTS

Description	OEM PN	Katun PN
Upper Heat Insulating Sleeve	FB1-6823-000	13600
Bearing	XG9-0208-000	576204
Upper Fuser Roller Bearing	XG9-0266-000	576216
Web Supply Roller	FY1-1046-000	636505
Web Supply Roller	FY7-0221-000	636505
Lower Picker Finger	FA2-9037-000	242562
Upper Picker Finger	FB1-7075-000	13099



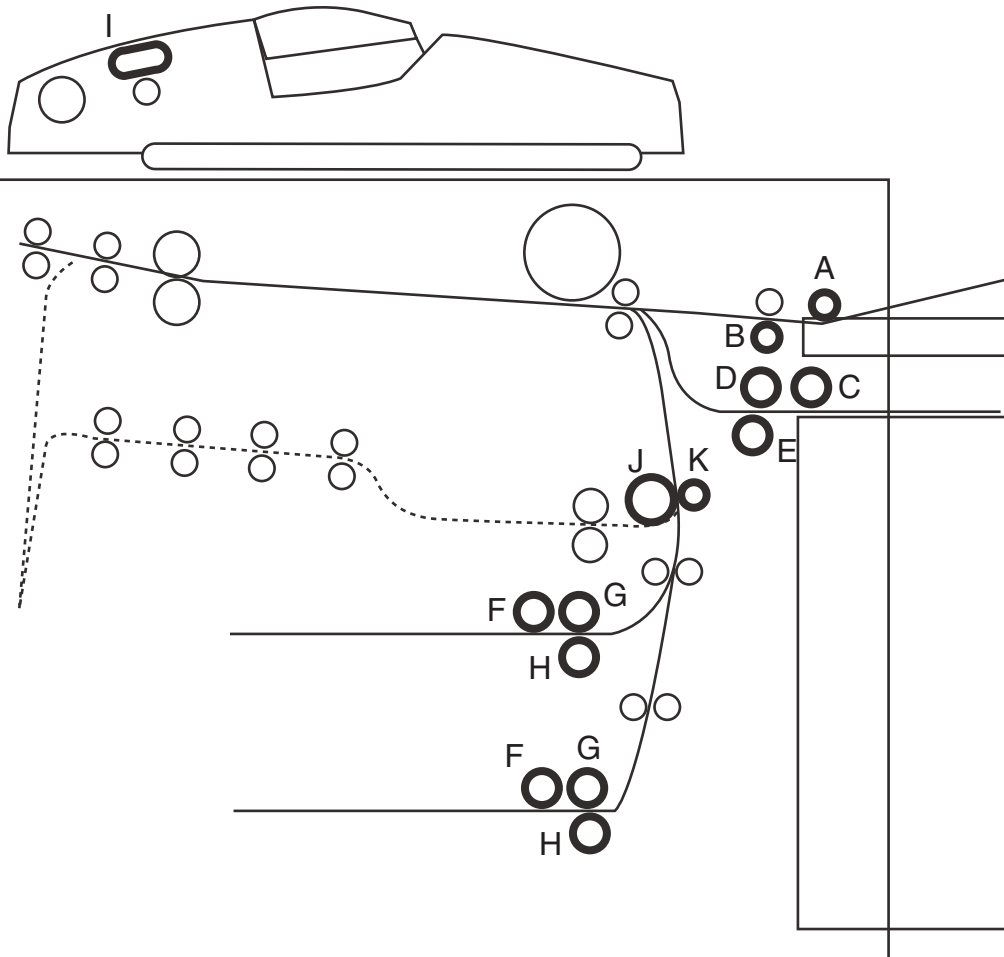
	Description	OEM PN	Katun PN
A	Feed Roller	FB2-7522-000	14060
B	Pickup Roller	FF5-1220-000 FF5-1221-000	17821
B	Pickup Roller Front with hub assembly	FF5-1220-000	30101
B	Pickup Roller Rear with hub assembly	FF5-1221-000	30100
C	Sponge Roller with hub assembly	FB2-7545-000	21650
D	Feed Roller	FB2-7695-000	17777
E	Separation Roller With hub assembly	FB2-7777-020	21619
	Separation Belt	FA5-5427-000	15001
G	Feed Roller (RDF-D1)	FC2-1533-000	13735
H	Pickup Roller (RDF-D1) with hub assembly	FC2-1532-000	15611
I	Separation Flapper (RDF-D1) – Right	FF3-0115-000	17008
J	Separation Flapper (RDF-D1) – Left	FF3-0117-000	17009
K	Duplex Separation Belt	FA5-5427-000	15001
L	Duplex Feed Roller	FC2-1533-000	13735
M	Duplex Pickup Roller with hub assembly	FC2-1532-000	15611

REPLACEMENT KIT

	Description	Katun PN
	Feed Tire Replacement Kit	21706
B	(2) Pickup Rollers	
D	(2) Feed Rollers	
E	(1) Separation Roller with hub assembly	

ADDITIONAL KATUN PARTS

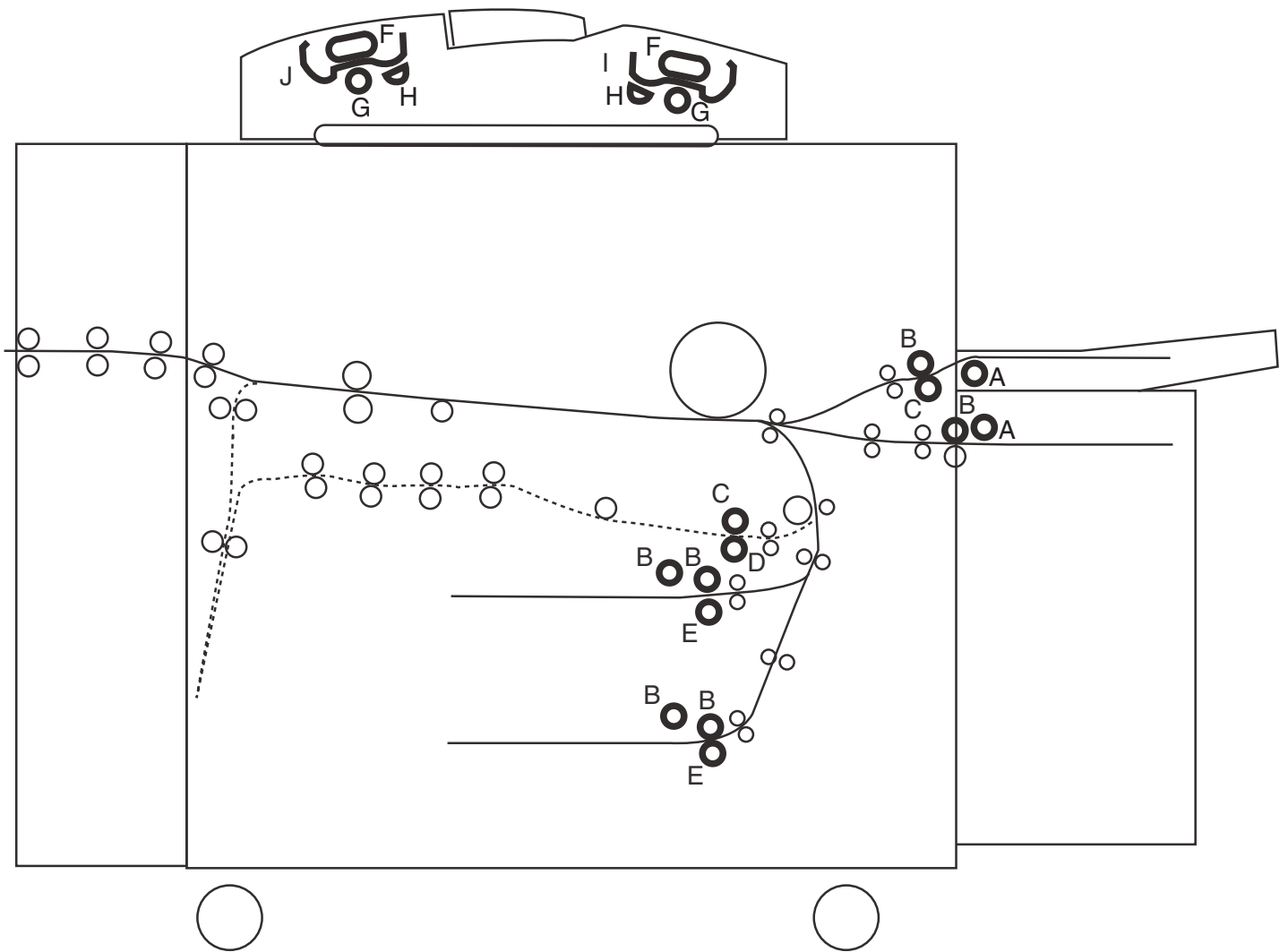
	Description	OEM PN	Katun PN
	Heat Insulating Sleeve	FB2-7239-000	13600
	Bearing	XG9-0208-000	576204
	Separation Belt	FA5-5427-000	15001
	Web Supply Roller	FY1-1046-000	636505
	Web Supply Roller	FY7-0221-000	636505
	Lower Picker Finger	FA2-9037-000	242562
	Upper Picker Finger	FC1-0391-030	16086
	Upper Fuser Roller	FB2-7200-000	14109
	Corona Wire Spring	97-5527-000	524647



	Description	OEM PN	Katun PN
A	Pickup Roller	FF9-1113-030 FA5-2854-030	00888
B	Separation Roller ("old style")	FA3-8733-040 FF2-4710-000	636671
B	Separation Roller with hub assembly	FA3-8733-040 FF2-4710-000	15626
B	Separation Roller ("new style")	FA6-7704-000	12221
C	Pickup Roller	FA6-8089-020	11083
D	Feed Roller	FC1-5637-000	12168
E	Separation Roller	FA6-8090-020	11084
E	Separation Roller with hub assembly	FF3-0067-000	20114
F	Pickup Roller	FA6-7777-020	11064
G	Feed Roller	FA6-8089-020	11083
H	Separation Roller	FC1-9410-000	11084
H	Separation Roller with hub assembly	FF3-0067-000	20114
I	Separation Belt (RDF-A1)	FA5-5427-000	15001
J	Duplex Separation Roller	FC1-9410-000	11084
K	Duplex Feed Roller	FA6-8089-020	11083

ADDITIONAL KATUN PARTS

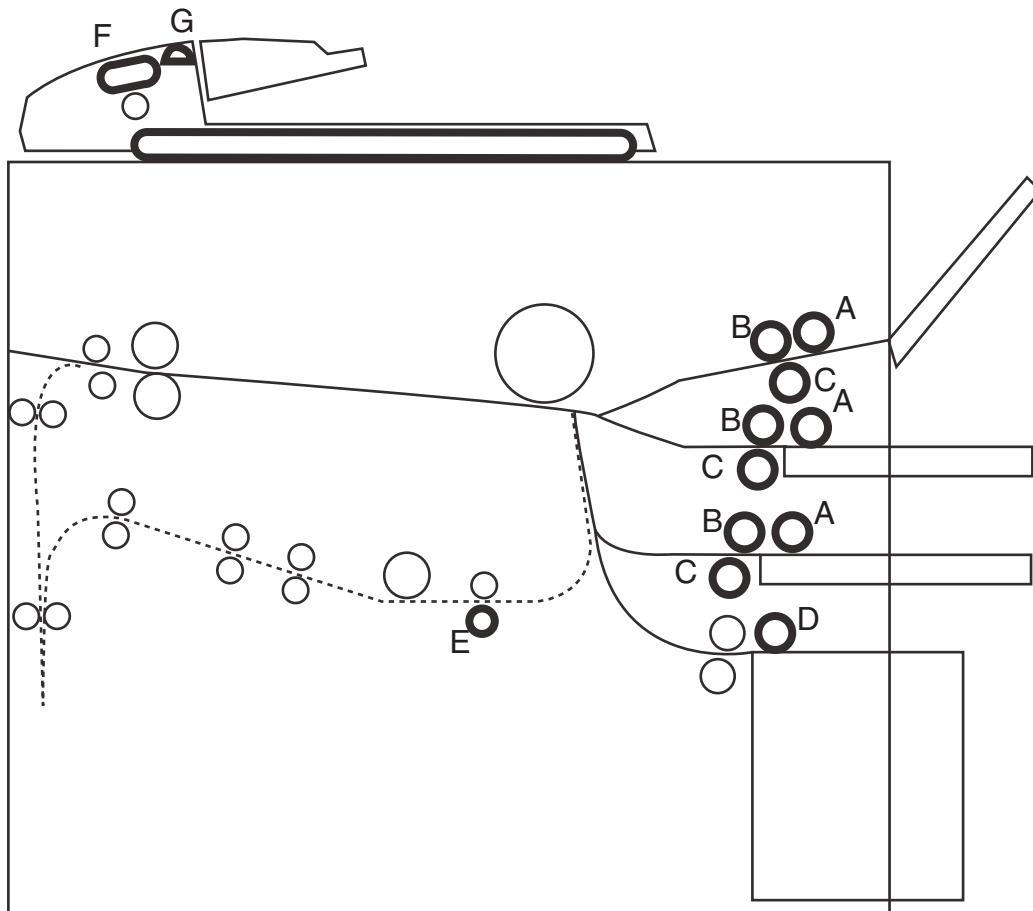
Description	OEM PN	Katun PN
Bearing	XG9-0208-000	576204
Upper Fuser Roller Bearing	XG9-0247-000	576216
Bearing	XG9-0249-000	576204
Web Supply Roller	FA5-3720-000	632388
Web Supply Roller	FY1-1045-000	632388
Lower Picker Finger	FA2-8345-000	13097
Upper Picker Finger	FC1-0391-030	16086
Corona Wire Spring	97-5527-000	524647



	Description	OEM PN	Katun PN
A	Pickup Roller	FA6-7777-020	11064
B	Feed Roller	FA6-8089-020	11083
C	Duplex Separation Roller (220V)	FB3-9699-000	17022
C	Duplex Separation Roller (100V)	FF2-6312-000	11084
D	Rubber Roller (Holding Tray Assembly)	FA6-8089-000 FA6-8089-020	11083
E	Separation Roller with hub assembly	FB2-7777-020	21619
F	Separation Belt (RDF-D1)	FA5-5427-000	15001
G	Feed Roller (RDF-D1)	FC2-1533-000	13735
H	Pickup Roller (RDF-D1)	FC2-1532-000	15611
I	Separation Flapper Right (RDF-D1)	FF3-0115-000	17008
J	Separation Flapper Left (RDF-D1)	FF3-0117-000	17009

ADDITIONAL KATUN PARTS

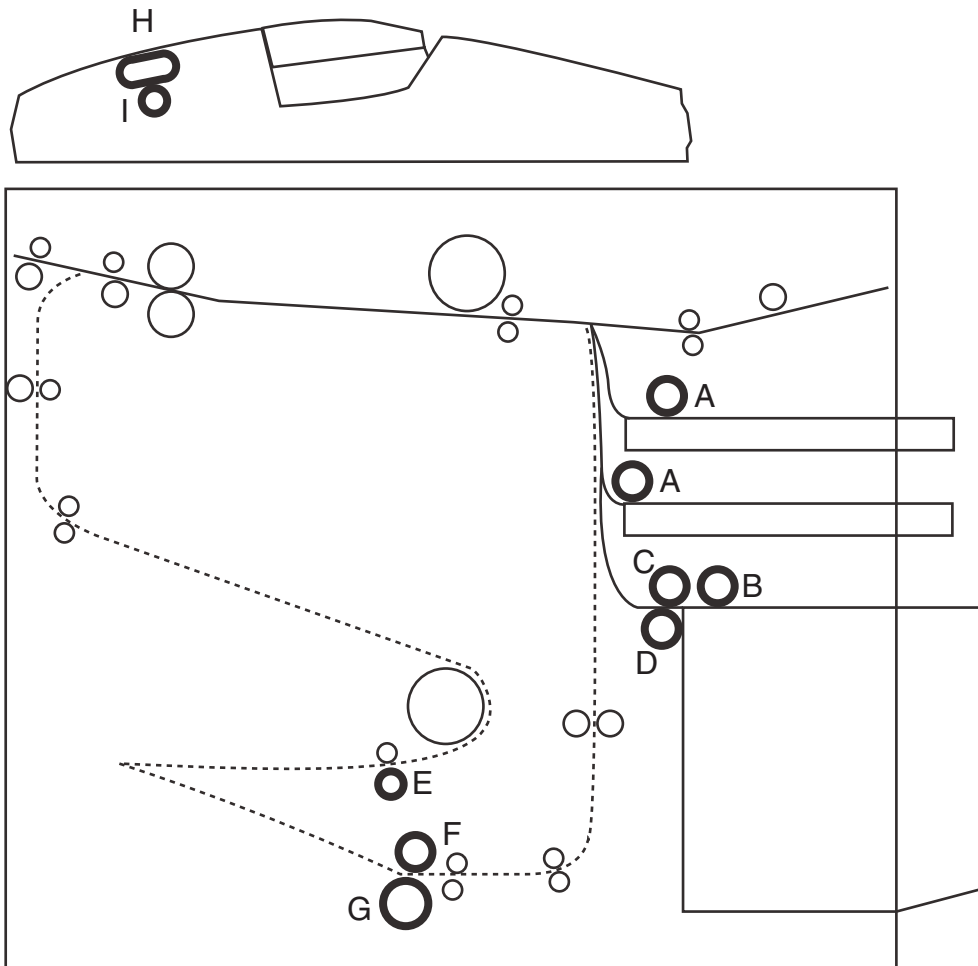
Description	OEM PN	Katun PN
Bearing	XG9-0013-000	576204
Bearing	XG9-0208-000	576204
Upper Fuser Roller Bearing	XG9-0247-000	576216
Bearing	XG9-0249-000	576204
Web Supply Roller	FA5-3720-000	632388
Web Supply Roller	FY1-1045-000	632388
Lower Picker Finger	FA2-8345-000	13097
Upper Picker Finger	FC1-0391-030	16086
Corona Wire Spring	97-5527-000	524647



	Description	OEM PN	Katun PN
A	Pickup Roller	FF9-0581-030	00893
B	Feed Roller	FA3-8733-040	636671
B	Feed Roller with hub assembly	FA3-8733-040	15626
C	Separation Roller	FF2-4710-000	636671
C	Separation Roller with hub assembly	FF2-4710-000	15626
D	Pickup Roller	FA5-7789-000	12798
E	Duplex Separation Roller	FF3-1439-000	00894
F	Separation Belt (D-ADF, RDF-2)	FA5-5427-000	15001
G	Pickup Roller (D-ADF) with hub assembly	FA3-4686-020	636731

ADDITIONAL KATUN PARTS

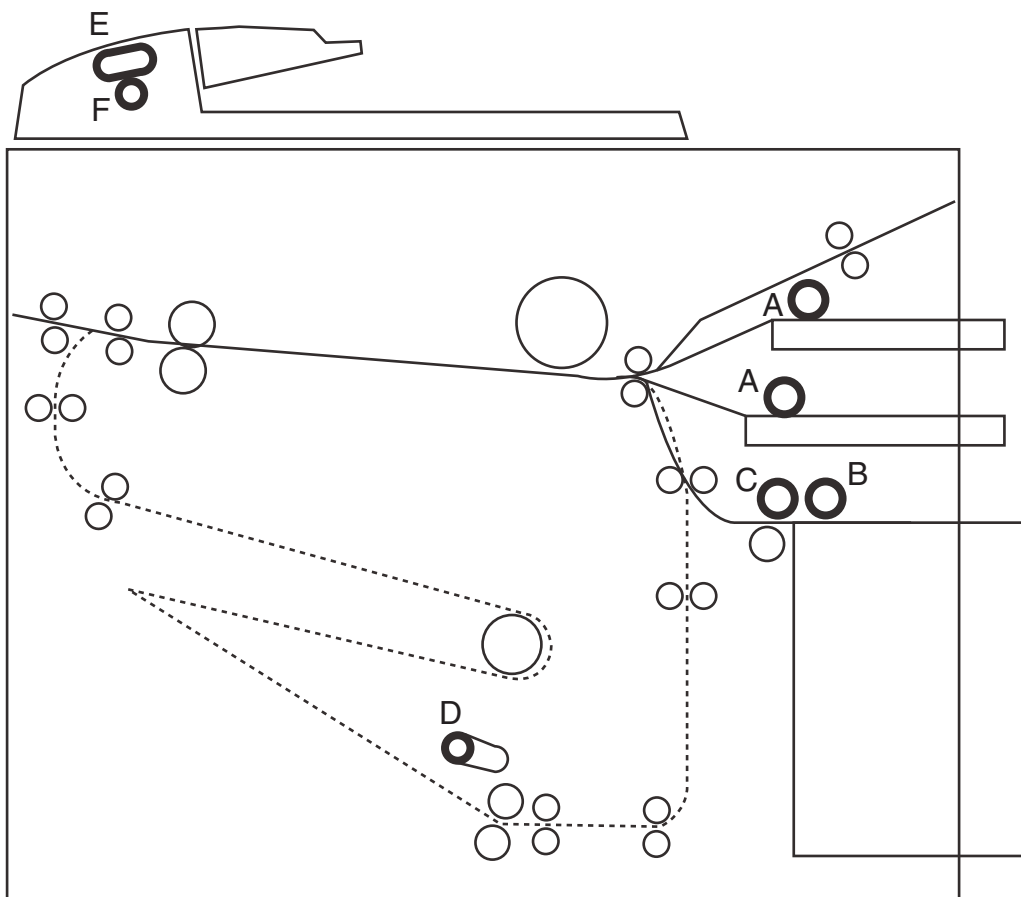
Description	OEM PN	Katun PN
Lower Fuser Roller Bearing	XG9-0018-000	21524
Upper Fuser Roller Bearing	XG9-0139-000	576216
Web Supply Roller	FA5-3720-000	632388
Web Supply Roller	FY1-1045-000	632388
Lower Picker Finger	FA2-8345-000	13097
Upper Picker Finger	FC1-0391-030	16086
Corona Wire Spring	97-5527-000	524647



	Description	OEM PN	Katun PN
A	Pickup Roller	FA3-2615-020	12799
B	Pickup Roller	FA5-7789-000	12798
C	Feed Roller	FL9-0077-020	00896
D	Separation Roller	FL9-0078-030	00897
E	Duplex Pickup Roller	FA3-2615-020	12799
F	Duplex Feed Roller	FL9-0009-030	00886
G	Duplex Separation Roller	FL9-0070-020	00895
H	Separation Belt (RDF-A1)	FA5-5427-000	15001
I	Original Feed Roller (RDF-A1) Ribbed tire	FF2-9926-000	19854

ADDITIONAL KATUN PARTS

Description	OEM PN	Katun PN
Upper Fuser Roller Bearing	FS1-1334-020	576217
Bearing	XG9-0013-000	576204
Web Supply Roller	FA5-3720-000	632388
Web Supply Roller	FY1-1045-000	632388
Corona Wire Spring	97-5527-000	524647



	Description	OEM PN	Katun PN
A	Pickup Roller	FA3-2615-020	12799
B	Pickup Roller (PD5)	FA5-7789-000	12798
C	Feed Roller (PD5)	FL9-0009-030	00886
D	Duplex Pickup Roller	FA3-2615-020	12799
E	Separation Belt (RDF-2)	FA5-5427-000	15001
F	Original Feed Roller (RDF-2)	FF2-9926-000	19854

ADDITIONAL KATUN PARTS

Description	OEM PN	Katun PN
Upper Fuser Roller Bearing	FS1-1334-020	576217
Bearing	XG9-0013-000	576204
Web Supply Roller	FA5-3720-000	632388
Web Supply Roller	FY1-1045-000	632388
Upper Picker Finger	FC1-0391-030	16086
Corona Wire Spring	97-5527-000	24647